

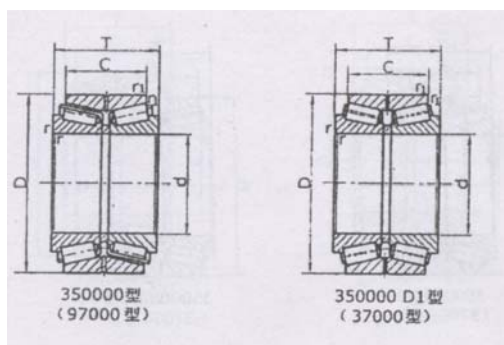
TAPER ROLLER BEARINGS

Taper roller bearings are separate bearings. the inner ring with roller and cage form the inner components, and can be **mounted** separately with outer ring. It has **tapered** raceway on inner and outer ring, and tapered rollers are mounted between the raceways. such bearing are mainly used to bear the combination load of radial and axial. The **axial** carrying capacity of the bearing is depended on the contact angle α (the outer raceway angle). the larger the α , the higher the **axial** carrying capacity of the bearing. This bearing can be **classified** into single-row, double-row and four-row taper roller bearing according to rows of rollers.

Double-row taper roller bearing with a pair of outer raceway and two inner rings, between the two inner rings there is middle spacer ring. changing its thickness can adjust the bearing clearance. This bearing can bear radial load and bi-directional axial load at the same time, and can limit the axial displacement of shaft or **housing in both directions** within a range of axial clearance. Such bearings are generally suitable for medium-speed or low-speed **application**.

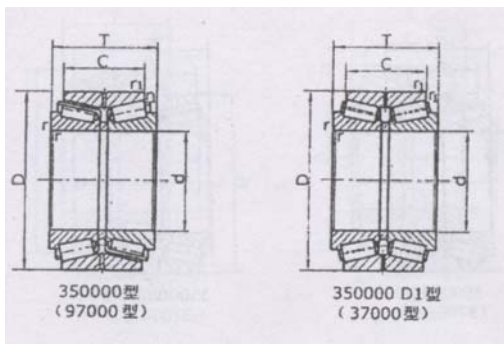
Taper roller bearing use **pressed steel plate cage**, but when the size is larger, it will adopt the **machined solid cage**, which is **welded with supporting rollers** (each roller has a supporting hole in its radial center).

DOUBLE ROW TAPER ROLLER BEARINGS d140-180mm



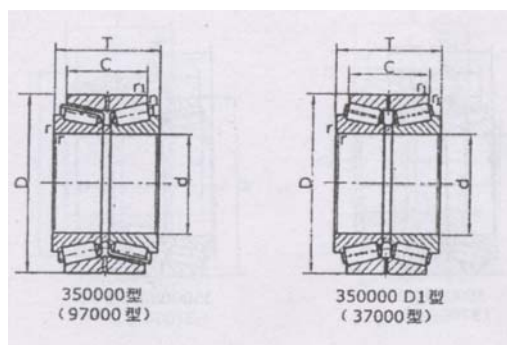
Principal dimensions										Old spec.	Designations	Design
d	D	T	C	B	b	D ₁	R _{smin}	r _{smin}				
mm												
140	210	95	75	42	7	220	2.5			2657128	-	6
	215	100	80	45	8	225	2.3			657728	-	6
	225	115	90	50			2.5	1		2097728	352128	1
	250	153	125.5	68			4	1		97528E	352228	1
	300	154	47	35			4	1		187328	-	5
150	210	80	62	36			2.5	0.7		2097930	352930	1
	225	112	88	45			3	1		97830	-	1
	225	105	80	45	7.5	236	3			2657130	-	6
	250	138	112	60			2.5	1		2097730	352130	1
	270	109	87	45			4	1		97730	-	1
	270	169	138	73			4	1		97530EK	352230EK	1
160	220	82	65	36			2.5	0.7		2097932	352932	1
	240	116	90	51			3	1		2097132	352032	1
	270	140	110	70			2.5	0.9		37732	-	2
	270	140	120	65			2.5	1		-	352132X2	1
	270	150	120	66			2.5	0.8		2097732	352132	1
	290	180	140	80			4	1.3		97532	352232	1
165	290	150	125	70			3	1.3		97833	-	1
170	230	82	65	36			2.5	0.6		2097934	352934	1
	230	65	27	65			2	0.7		87834	-	4
	260	120	95	54			3	0.8		2097134	352034	1
	280	150	120	66			2.5	0.6		2097734	352134	1
180	250	95	74	42			2.5	0.6		2097936	352936	1
	250	95	74	42			2.5	0.6		2097936K	-	1
	280	142	110	64			3	0.8		2097136E	352036	1
	285	108	79.4	54			2.5	0.6		37736	-	2
	300	164	134	72			4	1.		2097736	352136	1
	320	190	145	86			5	1.3		97536	352236	1

DOUBLE ROW TAPER ROLLER BEARINGS d140-180mm



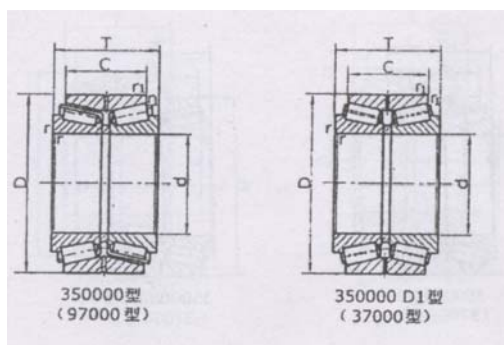
Calculation of coefficient				Basic load ratings		Speed ratings		weight	Old spec	Design
				dyc	stc	Grease	Oil			
e	Y	Yo	Cr	Cor	r/min		kg			
-	-	-	455	950	1200	1700	8.41	2657128	-	
-	-	-	440	900	1200	1600	13	657728	-	
0.34	2.00	2.98	580	1180	1200	1700	15.5	2097728	352128	
0.44	1.55	2.31	1150	2080	1200	1600	31	97528E	352228	
0.83	0.82	1.22	1100	1845	900	1300	50.3	187328	-	
0.27	2.48	3.69	350	800	1200	1500	9.32	2097930	352930	
0.39	1.73	2.58	1000	1690	1200	1500	14.1	97830	-	
-	-	-	450	930	1100	1500	13.8	2657130	-	
0.25	2.74	4.08	855	1560	1100	1500	25.5	2097730	352130	
0.44	1.55	2.31	650	1200	1100	1500	24.5	97730	-	
0.44	1.55	2.31	1160	2330	1100	1500	39.4	97530EK	352230EK	
0.27	2.51	3.74	380	860	1100	1500	8.15	2097932	352932	
0.46	1.47	2.19	675	1350	1100	1400	17.1	2097132	352032	
0.36	1.86	2.76	1560	2610	1000	1400	26.7	37732	-	
0.32	2.12	315	970	1930	1000	1400	31.8	-	352132X2	
0.36	1.86	2.76	955	1715	1000	1400	32.1	2097732	352132	
0.40	1.70	2.53	1370	2558	920	1200	48.9	97532	352232	
0.31	2.2	3.27	1100	2300	920	1200	41.1	97833	-	
0.28	2.39	3.56	460	1060	000	1400	8.35	2097934	352934	
0.29	2.36	3.51	855	1810	1000	1400	6.8	87834	-	
0.31	2.18	3.24	755	1550	1000	1300	16.1	2097134	352034	
0.38	1.78	2.65	1060	1995	950	1300	35.5	2097734	352134	
0.37	1.84	2.74	505	1060	1000	1300	13.4	2097936	352936	
0.37	1.84	2.74	505	1060	1000	1300	13.4	2097936K	-	
0.42	1.60	2.38	1025	2065	940	1300	29.3	2097136E	352036	
0.35	1.95	2.90	665	1190	940	1300	23.2	37736	-	
0.26	2.64	3.93	1190	2295	890	1200	43.4	2097736	352136	
0.36	1.85	2.76	1535	2765	890	1200	58.1	97536	352236	

DOUBLE ROW TAPER ROLLER BEARINGS d180-260mm



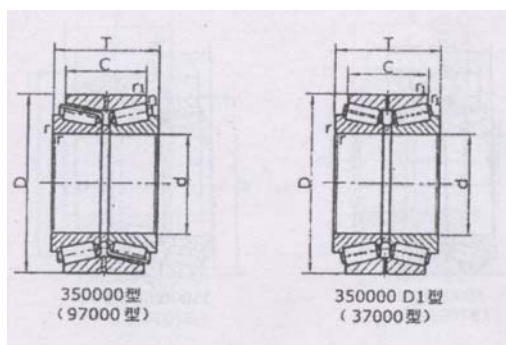
Principal dimensions										Old spec.	Designations	Design
d	D	T	C	B	b	D ₁	R _{smin}	r _{smin}				
mm												
180	320	192	152	86			5	13		97536k	352236X2	1
	340	180	140	83			5	1.1		97736	-	1
190	260	95	75	42			2.5	0.6		2097938	352938	1
	260	102	80	45			2.5	0.6		2097938E	352938X2	1
	290	134	104	60			3	1		2097138	352038	1
	320	170	130	78			3	1		2097738	352138	1
200	280	110	85	48			3	0.8		2097940	352940	1.
	310	152	120	66			3	0.7		2097140	352040X2	1
	310	154	120	70			3	1		2097140E	352040	1
	340	184	150	82			3	1		2097740	352140	1
	360	218	174	98			5	1.1		97540	352240	1
205	320	150	110	75			3.7	1.3		37741	-	2
220	300	110	88	48			3	0.8		2097944	352944	1
	340	165	130	72			4	1		2097144	352044X2	1
	340	166	128	76			4	1		2097144E	352044	1
	370	195	150	88			4	1.1		2097744	352144	1
225	360	146.5	111	73.25			3	1.1		37745	-	2
230	355	145	110	72.5			6	2.3		37746	-	2
240	320	105	82	48			3	0.9		2097948	352948	1
	320	110	87	48			3	0.9		2097948K	352948X2	1
	360	165	130	72			4	1.1		2097148	352048	1
	400	210	163	95			4	1		2097748	352148	1
260	360	105	76	47			3	1		57952	-	3
	360	134	108	60			3	1		2097952K	352952X2	1
	400	150	110	75			4.7	1.1		37852	-	2

DOUBLE ROW TAPER ROLLER BEARINGS d180-260mm



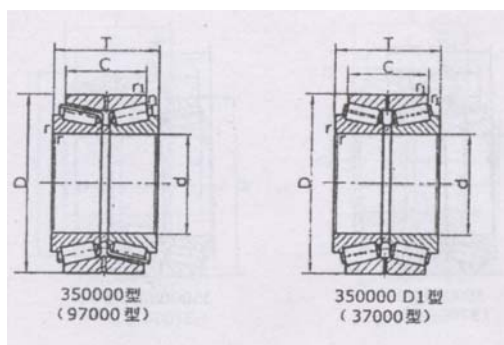
Calculation of coefficient	Basic load ratings				Speed ratings		weight	Old spec	Design
	dyc	stc	Cr	Cor	Grease	Oil			
	e	Y	Yo	KN	r/min	kg			
0.36 1.85 2.76 1.81	1390	2750	890	1200	60	97536k	352236X2		
0.35 1.96 2.91 1.91	1550	2860	840	1100	71.9	97736	-		
0.38 1.76 2.62 1.72	550	1450	940	1300	13.3	2097938	352938		
0.48 1.41 2.11 1.38	580	1500	940	1300	14.4	2097938E	352938X2		
0.37 1.83 2.72 1.79	845	1860	890	1200	28.8	2097138	352038		
0.31 2.18 3.24 2.13	1420	2690	840	1100	51	2097738	352138		
0.39 1.72 2.56 1.68	680	1550	900	1200	18.1	2097940	352940		
0.39 1.72 2.56 1.68	995	2070	840	1100	38.7	2097140	352940X2		
0.43 1.57 2.34 1.53	1250	2600	840	1100	40.9	2097140E	352040		
0.25 2.74 4.08 2.68	1650	3400	800	1100	63.8	2097740	352140		
0.41 1.66 2.47 1.62	2240	4230	800	1100	90.9	97540	352240		
0.39 1.72 2.56 1.68	730	1610	940	1100	40.2	37741	-		
0.31 2.18 3.24 2.13	640	1720	810	1100	21.2	2097944	352944		
0.35 1.95 2.90 1.91	1365	2745	760	1000	49.3	2097144	352044X2		
0.43 1.57 2.34 1.53	1435	2990	760	1000	42.7	2097144E	352044		
0.37 1.82 2.71 1.78	1705	3255	760	1000	78.1	2097744	352144		
0.36 1.87 2.79 1.83	1160	2290	760	1000	48.2	37745	-		
0.36 1.87 2.79 1.83	1070	2310	760	1000		37746	-		
0.32 2.12 3.15 2.07	605	1590	760	1000	22.3	2097948	352948		
0.32 2.12 3.15 2.07	685	1585	760	1000	23.0	2097948K	352948X2		
0.31 2.15 3.20 2.10	1330	2890	760	100	52.8	2097148	352048		
0.31 2.18 3.24 2.13	2065	4065	690	920	97.7	2097748	352148		
					28.3				
0.36 1.89 2.81 1.84	905	1900	630	840		57952	-		
0.30 2.23 3.32 2.18	1060	2580	670	900	38.6	2097952K	352952X2		
0.35 1.95 2.99 1.91	1280	2630	670	900	60.3	37852	-		

DOUBLE ROW TAPER ROLLER BEARINGS d260-380mm



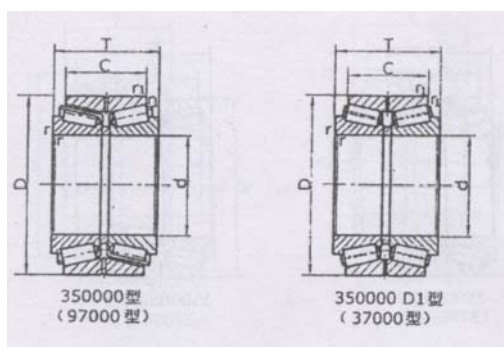
Principal dimensions									Old spec.	Designations	Design
d	D	T	C	B	b	D ₁	R _{smin}	r _{smin}			
mm											
260	400	186	146	82			5	1.3	2097152	352052	1
	430	180	130	90			7.5	2.3	37752	-	2
	440	225	180	100			4	2.3	2097752	352152	1
280	380	134	108	60			3	0.69	2097956	352956	1
	420	186	146	82			5	1.3	2097156	352056	1
300	420	160	128	72			4	1.1	2097960X2	352960X2	1
	460	210	165	95			5	1.3	2097160	352060	1
	500	200	160	90			6	3	97860	-	1
	500	205	152	90			5	1.5	1097760	351160	1
305.07	500	200	70	200			6.4	4.8	87961K	-	4
305.2	500	200	70	200			6.4	4.8	87961K1	-	4
320	480	151	121	66.5			5	1.5	97764	-	1
	480	210	160	95			5	1.1	2097164	352064	1
330	420	100	76	44			4	1	97966	350666	1
340	460	160	128	72			4	1.1	2097968X2	352968X2	1
	460	166	128	76			4	1	2097968E	352968	1
	520	180	135	82			6	1.5	97168	351068	1
	580	242	170	106			5	1.5	1097768	351168	1
360	480	160	128	72			4	1	2097972	352972	1
	540	169	134	70			6	2	97872	-	
	540	185	140	82.5			5	1	97172	351072	1
	540	220	170	95			6	1.3	2097172	352072	1
	600	242	170	106			5	1.5	1097772	351172	1
380	520	145	105	65			4	1.1	1097976	351976	1

DOUBLE ROW TAPER ROLLER BEARINGS d260-380mm



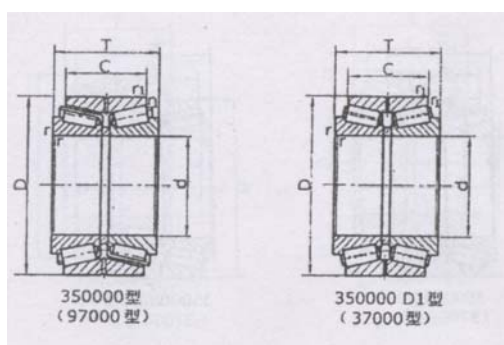
Calculation of coefficient				Basic load ratings		Speed ratings		weight	Old spec	Designations
e	Y	Yo		dyc	stc	Grease	Oil			
				Cr	Cor	r/min		kg		
0.30	2.28	3.39	2.23	1755	3760	630	840	74.5	2097152	352052
0.35	1.95	2.90	1.91	1420	2990	630	770	87.9	37752	-
0.24	2.84	4.23	2.78	2190	4750	580	820	124	2097752	352152
0.32	2.10	3.13	2.05	935	2650	620	770	44	2097956	352956
0.37	1.83	2.72	1.79	1920	4000	580	770	81.5	2097156	352056
0.28	2.39	3.56	2.34	1505	3615	580	740	60.8	2097960X2	352960x2
0.36	1.85	2.76	1.81	2270	4890	560	710	117	2097160	352060
0.32	2.12	3.15	2.07	2090	4450	530	710	142	97860	-
0.33	2.12	3.15	2.07	2090	4450	530	710	141	1097760	351160
0.79	0.85	1.27	0.84	1700	3550	530	710	122	87961K	-
0.79	0.85	1.27	0.84	1700	3550	530	710	115	87961K1	-
0.32	2.08	3.10	2.04	1700	3550	530	710	88.9	97764	-
0.46	1.47	2.19	1.44	2470	5520	530	710	129	2097164	352064
0.42	1.59	2.37	1.55	905	2325	530	710	30.3	97966	350666
0.31	2.15	3.20	2.10	1400	4050	500	660	71	2097968X2	352968x2
0.44	1.54	2.30	1.51	1625	4250	500	660	73.8	2097968E	352968
0.29	2.33	3.47	2.28	2020	3995	460	620	118.2	97168	351068
0.42	1.60	2.38	1.56	3400	6600	460	620	228	1097768	351168
0.33	2.05	3.05	2.00	1490	2240	510	680	74.7	2097972	352972
0.37	1.82	2.70	1.78	1980	4400	460	620	122	97872	-
0.31	2.20	3.28	2.15	2280	4770	460	620	127.7	97172	351072
0.34	1.99	2.96	1.94	2510	5865	460	620	162	2097172	352072
0.44	0.54	2.30	1.51	3100	6800	400	520	221	1097772	351172
0.38	1.77	2.64	1.73	1510	3800	530	710	78.8	1097976	351976

DOUBLE ROW TAPER ROLLER BEARINGS d380-710mm



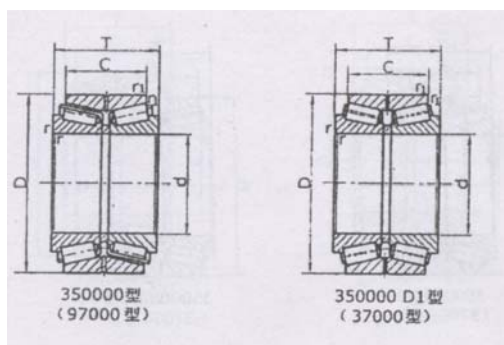
Principal dimensions									Old spec.	Designations	Design
d	D	T	C	B	b	D ₁	R _{smín}	r _{smín}			
mm											
380	560	190	140	82			5	1.3	97176	351076	1
	620	242	170	106			5	1.5	1097776	351176	1
400	600	206	150	90			5	1.5	97180	351080	1
	650	255	180	112			6	2.5	1097780	351180	1
420	560	145	105	65			4	1.1	1097984	351984	1
	620	206	150	90			4.7	1.5	9718k	351084	1
	700	224	186	224			6	6	373184	-	4
	700	275	200	122			6	2.5	1097784	351184	1
480	650	180	130	78			5	1.5	1097996	351996	1
500	670	180	130	78			5	1.5	10979/500	3519/500	1
	720	236	180	100			6	2.5	971/500	3510/500	1
501.65	711.2	250.852	106.363	250.825			3.2	6.4	879/500	-	4
510.13	800	285	100	285			5	8	-	332171	1
530	710	190	136	87			5	15.5	10979/530	3519/530	1
	730	250	104	250			6	6	878/530	-	4
560	820	260	185	115			4	2.2	971/560	3510/560	1
570	750	240	100	240			6	6	877/570	-	4
600	800	205	156	90			5	1.5	10979/600	3519/600	1
635	939.8	304.8	110	304.8			3.3	6.4	879/635	524241	4
710	950	240	175	106			6	2.2	10979/710	3519/710	1

DOUBLE ROW TAPER ROLLER BEARINGS d380-710mm



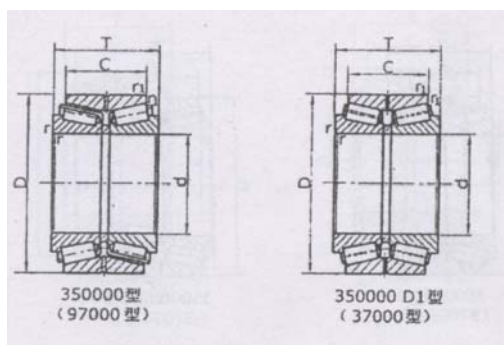
Calculation of coefficient				Basic load ratings		Speed ratings		weight	Old spec	Designations
e	Y	Yo	dyc	stc	Grease	Oil				
			Cr	Cor	r/min		kg			
0.30	2.29	3.40	2.24	2620	4300	410	540	135.2	97176	351076
0.46	1.47	2.18	1.43	3100	6850	410	540	250	1097776	351176
0.38	1.78	2.65	1.74	1800	4250	410	540	179	97180	351080
0.41	1.66	2.47	1.63	3300	7400	360	480	279	1097780	351180
0.31	2.18	3.24	2.13	1630	3680	410	540	87.4	1097984	351984
0.41	1.64	2.44	1.60	2710	5985	360	480	188.8	97184k	351084
0.32	2.12	3.15	2.07	4130	9480	360	480	382	373184	-
0.32	2.12	3.15	2.07	4030	9150	360	480	376	1097784	351184
0.42	1.61	2.40	1.58	1950	5150	360	480	159	1097996	351996
0.43	1.55	2.31	1.52	2360	6700	410	540	158	10979/500	3519/500
0.32	2.08	3.10	2.04	3250	8150	350	460	276	971/500	3510/500
0.34	1.92	2.86	1.88	4500	13400	340	440	323	879/500	-
0.89	0.76	1.14	0.75	4950	12500	330	430	532	-	332171
0.41	1.64	2.44	1.60	2625	7380	320	420	185	10979/530	3519/530
0.34	2.00	2.97	1.95	4600	13400	320	420	323	878/530	-
0.39	1.73	2.58	1.69	4485	9820	310	410	416	971/560	3510/560
0.50	1.36	2.02	1.33	3500	1180	310	410	287	877/570	-
0.33	2.05	3.05	2.00	3100	9050	290	390	247	10979/600	3519/600
0.83	0.82	1.22	0.80	5400	9400	280	380	721	879/635	524241
0.41	1.65	2.45	1.61	4610	11755	250	320	445	10979/710	3519/710

DOUBLE ROW TAPER ROLLER BEARINGS d750-1120mm



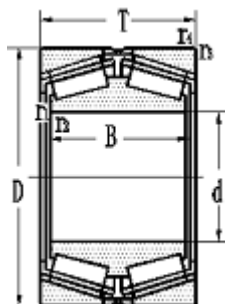
d	D	T	Principal dimensions						Old spec.	Designations	Design	
			C	B	b	D ₁	R _{smin}	r _{smin}				
mm												
750	1000	255	190	112				6	2.5	10979/750x2	3519/750x2	1
	1000	264	194	112				6	2.5	10979/750	3519/750	1
800	1060	270	204	115				6	2.5	10979/800	3519/800	1
850	1120	268	188	118				6	2.5	10979/850	3519/850	1
900	1180	275	205	122				6	2.5	10979/900	3519/900	1
1120	1460	335	250	158				7.5	3	10979/1120	3519/1120	1

DOUBLE ROW TAPER ROLLER BEARINGS d750-1120mm



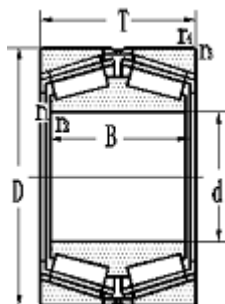
Calculation of coefficient	Basic load ratings				Speed ratings		weight	Old spec	Designations	
	dyc	stc	Cr	Cor	Grease	Oil				
	e	Y	Yo	KN	r/min	kg				
0.45	1.50	2.24	1.47	4900	15100	230	310	535	10979/750x2	3519/750x2
0.45	1.50	2.24	1.47	1900	15100	230	310	546	10979/750	3519/750
0.35	1.93	2.87	1.88	6250	15200	220	300	606	10979/800	3519/800
0.44	1.55	2.31	1.51	6340	17500	210	270	652.6	10979/850	3519/850
0.37	1.80	2.69	1.76	6950	2130	200	260	763	10979/900	3519/900
0.35	1.93	2.87	1.88	9000	29500	160	210	1350	10979/1120	3519/1120

DOUBLE ROW TAPER ROLLER BEARINGS INCH d92.075-253.975mm



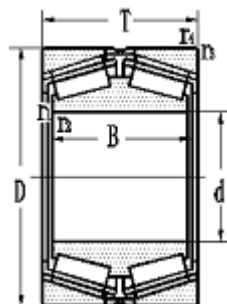
Principal dimensions							Old spec.	Designations	Design
d	D	T	B	C	R _{smin}	r _{smin}			
mm									
92.075	152.400	82.550	63.500	36.322	3.5	0.6	598/592DC	598/592DC	1
96.938	188.912	107.59	31.750	46.038	3.5	3.3	9038/90744K	90381/90744K	3
101.600	168.275	92.075	69.850	41.275	3.5	0.5	687/672D	687/672D	1
101.600	190.500	127.000	101.600	57.500	8	1.5	861/854D	861/854D	1
127.792	228.600	115.888	84.138	49.428	3.5	2.3	HM926749/HM926710D	HM926749/HM926710D	1
130.000	280.000	144.000	44.000	66.000	1.5	4	31326X.K11.A160.200	31326X.K11.A160.200	6
140.000	200.000	93.665	73.025	42.000	5	1	442210	442210	1
	300.000	154.000	47.000	70.000	1.3	4	31328X..K11.A160.200	31328X,K11.A160.200	6
146.050	254.000	149.225	111.125	66.675	7.1	1.5	99575/99102CD	99575/99102CD	1
150.000	320.000	164.000	50.000	75.000	2	4	31330X.K11.A180.230	31330X.K11.A180.230	6
165.100	225.425	95.250	69.850	47.625	3.5	0.8	NA46790-SW/46720CD	NA46790-SW/46720CD	2
173.000	350.000	155.000	58.000	155.000	5	4	173KH350+K	173KH350+K	4
177.800	288.925	123.825	47.625	123.825	1.5	3.3	541398	HM237546DW/HM237510	4
203.200	276.225	95.250	73.025	47.625	3.5	0.8	37941K	LM241149NW/LM241110D	2
	292.100	109.538	84.138	49.212	3.5	0.8	M541349/M541310D	M541349/M541310D	1
220.000	340.000	90.000	80.000	39000	3.5	1.3	220KBE30+L	220KBE+L	1
249.250	381.000	171.450	127.000	76.200	6.4	1.5	EE126098/126151CD	EE126098/126151CD	1
253.975	347.662	101.600	69.850	50.800	3.5	1.5	37951K	LM249747NW/LM249710D	2

DOUBLE ROW TAPER ROLLER BEARINGS INCH d92.075-253.975mm



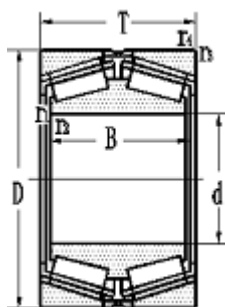
Calculation of coefficient				Basic load ratings		Speed ratings		weight	Old spec	Designations
e	Y ₁	Y ₂	Y ₀	dyc	stc	Grease	Oil			
				Cr	Cor	KN	r/min	kg		
0.44	1.54	2.30	1.51	297	547	1800	2400	5.74	598/592DC	598/592DC
0.87	0.77	11.5	0.76	466	702	1800	2400	11.6	90381/90744K	90381/90744k
0.47	1.43	2.12	1.40	357	648	1800	2400	8.18	687/672D	687/672D
0.34	1.96	2.92	1.92	606	1020	1800	2400	15.6	861/854D	861/854D
0.44	1.55	2.31	1.52	703	1142	1400	1900	18.9	HM926749/HM926710D	HM926749/HM926710D
0.83	0.82	1.22	0.80	1086	1649	1400	1900	40.4	31326X. K11. A160. 200	31326X. K11. A160. 200
0.31	2.18	3.24	2.13	422	917	1300	1700	9.20	442210	442210
0.83	0.82	1.22	0.80	1244	1910	1300	1700	51	31328X. K11. A160. 200	31328X. K11. A160. 200
0.41	1.65	2.77	1.82	967	1887	1300	1700	28	99575/99102CD	99575/99102CD
0.83	0.82	1.22	0.80	1414	2196	1200	1500	59.6	31330X. K11. A180. 230	31330X. K11. A180. 230
0.40	1.70	2.53	1.66	440	1120	1150	1400	10.5	NA46790-SW/46720CD	NA46790-SW/46720CD
0.43	1.59	2.36	1.55	1500	2550	1000	1300	70.7	173KH350+K	173KH350+K
0.32	2.12	3.15	2.07	1085	2050	940	1300	32	541398	HM237546DW/HM237510
0.32	2.12	3.15	2.07	590	1350	940	1300	14.9	37941K	LM241149NW/LM241110D
0.40	1.68	2.50	1.64	825	1710	940	1300	21.9	M541349/M541310D	M541349/M541310D
0.40	1.69	2.52	1.65	725	1478	840	1100	30.8	220KBE+L	220KBE30+L
0.52	1.29	1.92	1.26	1407	3066	690	920	63.4	EE126098/126151CD	EE126098/126151CD
0.33	2.04	3.03	1.99	775	1650	630	840	23.8	37951K	LM249747NW/LM249710D

DOUBLE ROW TAPER ROLLER BEARINGS INCH d279.400-600.000mm



d	Principal dimensions						Old spec.	Designations	Design
	D	T	B	C	R _{smin}	r _{smin}			
mm									
279.400	457.200	244.475	106.363	244.475	1.5	6.4	HH255149D/HH255110	HH255149D/HH255110	4
	457.200	244.480	94.000	244.480	6	6	45T564624T	45T564624T	5
303.212	495.300	263.525	114.300	263.525	3.3	6.4	HH258249TD/HH258210	HH258249TD/HH258210	5
304.800	393.700	107.950	82.550	53.975	6	1.5	37961K	L357049NW/LM961511D	2
305.070	500.000	200.000	60.000	200.000	6.4	4.8	332169A	332169A	4
342.900	457.098	142.875	101.600	63.500	3.3	1.5	LM961548/LM961511D	LM961548/LM961511D	1
355.600	444.500	136.525	111.125	60.325	3.6	1.5	L163149/L163110CD	L163149/L163110CD	1
	501.650	146.050	107.950	73.025	6.4	1.5	NA231400/231976CD	NA231400/231976CD	2
368.249	523.875	214.312	169.862	101.600	6.4	1.5	97974	HM265049/HM265010D	1
368.300	523.875	185.738	79.375	185.738	3.3	6.4	HM265049TDS/HM265010S	HM265049TDS/HM265010S	5
431.8	571.5	155.575						LM869448/LM869410CD	
447.675	635.000	223.838	95.250	223.838	3.3	6.4	M270749ADW/M270710	M270749ADW/M270710	4
498.475	634.873	177.800	142.875	80.962	6.4	1.3	EE243196/243251CD	EE243196/243251CD	1
600.000	870.000	250.000	200.000	111.000	6	3	600KBE030+L/P6	600KBE030+L/P6	1

DOUBLE ROW TAPER ROLLER BEARINGS INCH d279.400-600.000mm



Calculation of coefficient	Basic load ratings		Speed ratings		weight	Old spec	Designations
	dyc Cr	stc Cor	Grease	Oil			
e Y₁ Y₂ Y₀	KN		r/min		kg		
0.33 2.02 3.01 1.97	3670	8440	580	770	181	HH255149D/HH255110	HH255149D/HH255110
0.33 2.03 3.02 1.98	2743	5863	580	770	166.5	45T564624T	45T564624T
0.33 2.03 3.02 1.98	4023	9363	500	660	223.8	HH258249TD/HH258210	HH258249TD/HH258210
0.36 1.90 2.83 1.86	905	2260	500	660	30.6	37961K	L357049NW/L357010CD
0.87 0.77 1.15 0.76	2100	4300	500	660	147.7	332169A	332169A
0.71 0.95 1.41 0.93	1254	3411	480	630	60.4	LM961548/LM961511D	LM961548/LM961511D
0.31 2.20 3.27 2.15	1133	3538	420	560	44.6	L163149/L163110CD	L163149/L163110CD
0.37 1.80 2.69 1.76	1760	3853	410	540	88	NA231400/231976CD	NA231400/231976CD
0.33 2.03 3.02 1.98	2714	6903	410	540	143	97974	HM265049/HM265010D
0.33 2.03 3.02 1.98	3165	7555	410	540	134.3	HM265049TDS/HM265010S	HM265049TDS/HM265010S
	1810	4460			95.8		LM869448/LM869410CD
0.33 2.02 3.00 1.97	4317	11416	320	440	239	M270749ADW/M2707710	M270749ADW/M2707710
0.34 1.97 2.93 1.92	2356	6893	320	440	132.2	EE243196/243251CD	EE243196/243251CD
0.39 1.74 2.59 1.70	4920	11950	250	330	467	600KBE030+L/P6	600KBE030+L/P6