

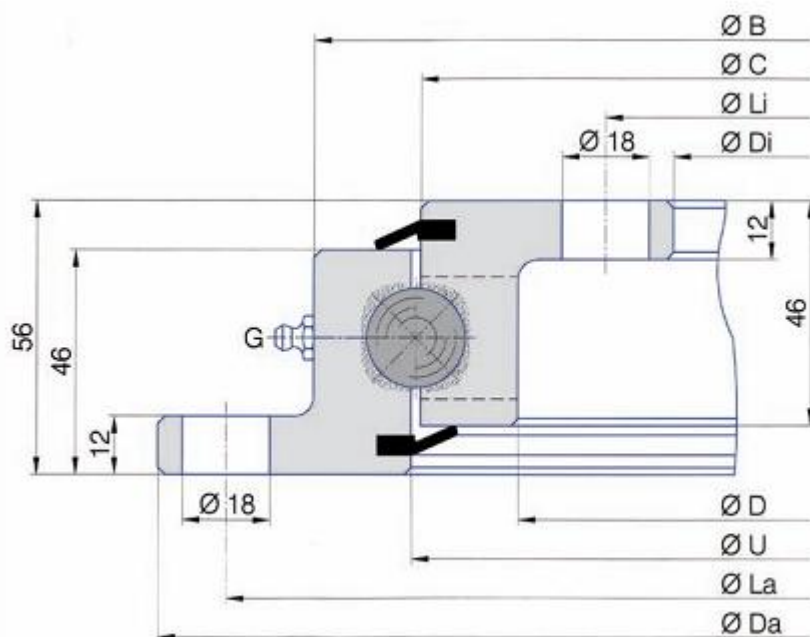


This type bearings are used in several applications; amongst the most important we could mention agricultural trailers, irrigation systems and airport luggage carriers. In the applications on vehicles, bearings transmit not only axial load, but also radial load and torque. In other applications they transmit mostly axial load.

light series bearings

Products drawing and curve-----no gear type

Series :JY20

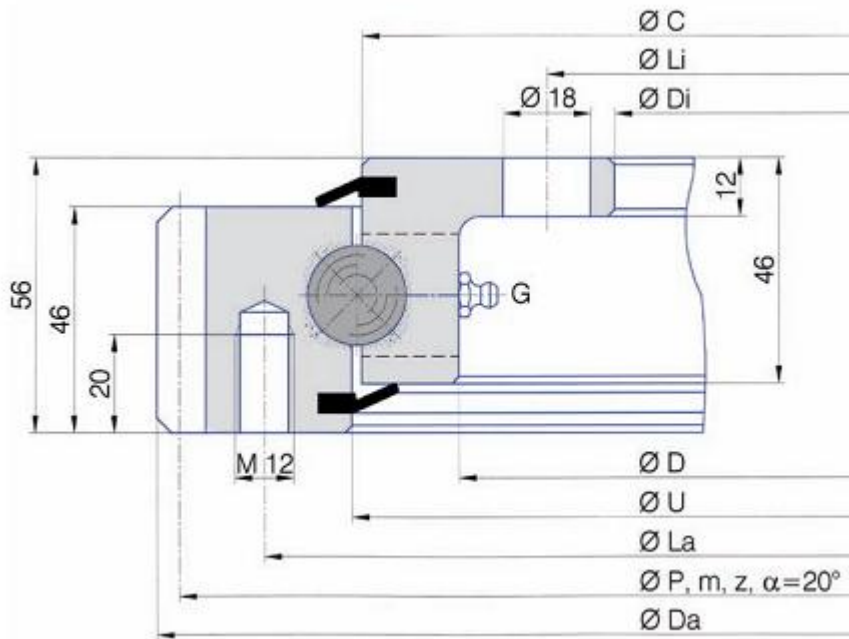


Unit : MM

type	weight Kg	size					fixing holes		
		Da	Di	B	D	La	na	Li	ni
JY20/505	23	518	304	454	368	490	8	332	12
JY20/650	34	648	434	584	498	620	10	462	14
JY20/750	40	748	534	684	598	720	12	562	16
JY20/850	46	848	634	784	698	820	12	662	16
JY20/950	52	948	734	884	798	920	14	762	18
JY20/1050	58	1048	834	984	898	1020	16	862	20
JY20/1200	67	1198	984	1134	1048	1170	16	1012	20



Outer gear type
series :JY 21



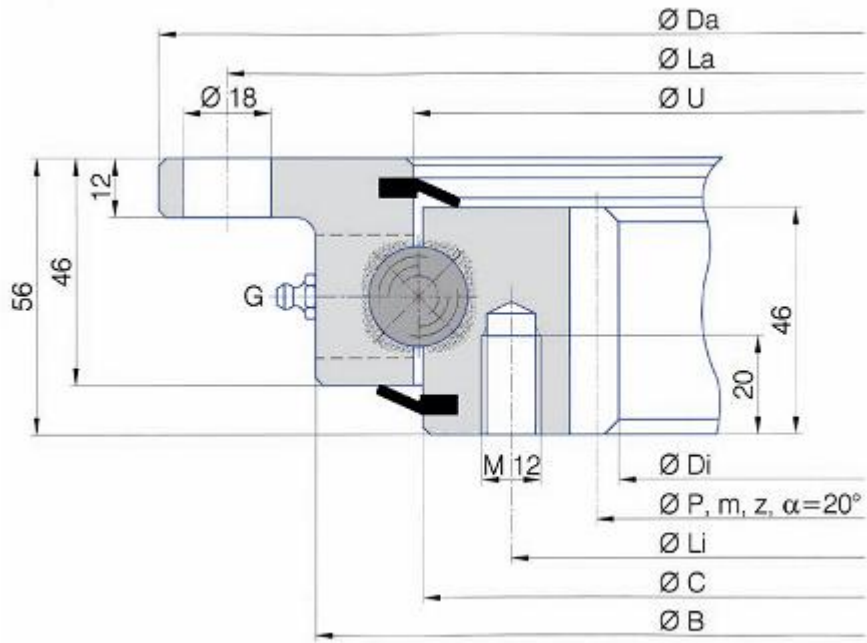
Unit : MM

type	weight	size			fixing holes			gear teeth			tooth force	
	Kg	Da	Di	D	La	na	Li	ni	m	z	P	KN
JY21/505	32	505	304	368	455	10	332	12	5	99	495	33.8
JY21/650	44	640	434	498	585	14	462	14	6	105	630	41
JY21/750	52	742	534	598	685	16	562	16	6	122	732	41
JY21/850	60	840	634	698	785	18	662	16	6	138	828	41
JY21/950	68	950	734	798	885	18	762	18	8	117	936	55
JY21/1050	76	1046	834	898	985	20	862	20	8	129	1032	55
JY21/1200	86	1198	984	1048	1135	22	1012	20	8	148	1184	55



Inner gear type

Series :JY23



Unit : MM

type	weight Kg	size			fixing holes				gear teeth			tooth force KN
		Da	Di	B	La	na	Li	ni	m	z	P	
JY23/505	31	518	325	454	490	8	375	12	5	67	335	32.4
JY23/650	41	648	445	584	620	10	505	16	6	76	456	40.3
JY23/750	48	748	546	684	720	12	605	18	6	93	558	40.3
JY23/850	55	848	649	784	820	12	705	20	6	110	660	40.3
JY23/950	63	948	736	884	920	14	805	20	8	94	752	54.3
JY23/1050	71	1048	840	984	1020	16	905	22	8	107	856	54.3
JY23/1200	80	1198	986	1134	1170	16	1055	24	8	125	1000	54.3



JYC Reference	Equivalent part numbers (basic bearing only)					
---------------	--	--	--	--	--	--

210.20.411	SD5052000C	23.0411.01ZZ00	230.20.0400.013	VLU 20 0414	21/520.0	63.20.0414.00.0.00
210.20.541	SD6502000C	23.0541.01ZZ00	230.20.0500.013	VLU 20 0544	21/650.0	63.20.0544.00.0.00
210.20.641	SD7502000C	23.0641.01ZZ00	230.20.0600.013	VLU 20 0644	21/750.0	63.20.0644.00.0.00
210.20.741	SD8502000C	23.0741.01ZZ00	230.20.0700.013	VLU 20 0744	21/850.0	63.20.0744.00.0.00
210.20.841	SD9502000C	23.0841.01ZZ00	230.20.0800.013	VLU 20 0844	21/950.0	63.20.0844.00.0.00
210.20.941	SD10502000C	23.0941.01ZZ00	230.20.0900.013	VLU 20 0944	21/1050.0	63.20.0944.00.0.00
210.20.1091	SD12002000C	23.1091.01ZZ00	230.20.1000.013	VLU 20 1094	21/1200.0	63.20.1094.00.0.00

JYC Reference	Basic equivalent part numbers					
211.20.411	E 505 20 00 C	21.0411.01ZZ00	231.20.0400.013	VLA 20 0414 N	21/520.1	61.20.0414.00.0.00
211.20.541	E 650 20 00 C	21.0541.01ZZ00	231.20.0500.013	VLA 20 0544 N	21/650.1	61.20.0544.00.0.00
211.20.641	E 750 20 00 C	21.0641.01ZZ00	231.20.0600.013	VLA 20 0644 N	21/750.1	61.20.0644.00.0.00
211.20.741	E 850 20 00 C	21.0741.01ZZ00	231.20.0700.013	VLA 20 0744 N	21/850.1	61.20.0744.00.0.00
211.20.841	E 950 20 00 C	21.0841.01ZZ00	231.20.0800.013	VLA 20 0844 N	21/950.1	61.20.0844.00.0.00
211.20.941	E 1050 20 00 C	21.0941.01ZZ00	231.20.0900.013	VLA 20 0944 N	21/1050.1	61.20.0944.00.0.00
211.20.1091	E 1200 20 00 C	21.1091.01ZZ00	231.20.1000.013	VLA 20 1094 N	21/1200.1	61.20.1094.00.0.00

JYC Reference	Equivalent part numbers					
---------------	-------------------------	--	--	--	--	--

213.20.411	I 505 20 00 C	22.0411.01ZZ00	232.20.0400.013	VLI 20 0414 N	21/520.2	62.20.0414.00.0.00
213.20.541	I 650 20 00 C	22.0541.01ZZ00	232.20.0500.013	VLI 20 0544 N	21/650.2	62.20.0544.00.0.00
213.20.641	I 750 20 00 C	22.0641.01ZZ00	232.20.0600.013	VLI 20 0644 N	21/750.2	62.20.0644.00.0.00
213.20.741	I 850 20 00 C	22.0741.01ZZ00	232.20.0700.013	VLI 20 0744 N	21/850.2	62.20.0744.00.0.00
213.20.841	I 950 20 00 C	22.0841.01ZZ00	232.20.0800.013	VLI 20 0844 N	21/950.2	62.20.0844.00.0.00
213.20.941	I 1050 20 00 C	22.0941.01ZZ00	232.20.0900.013	VLI 20 0944 N	21/1050.2	62.20.0944.00.0.00
213.20.1091	I 1200 20 00 C	22.1091.01ZZ00	232.20.1000.013	VLI 20 1094 N	21/1200.2	62.20.1094.00.0.00



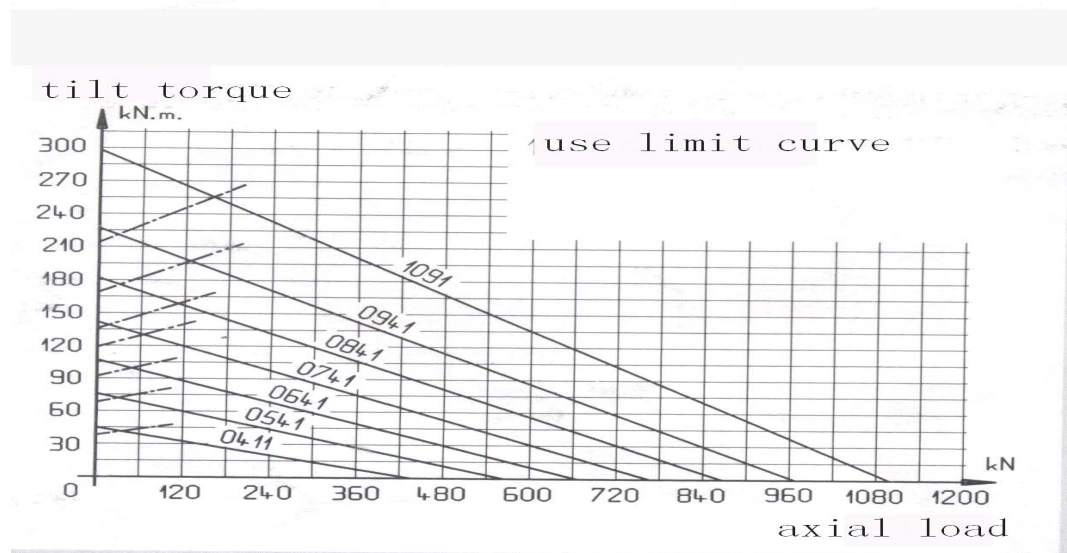
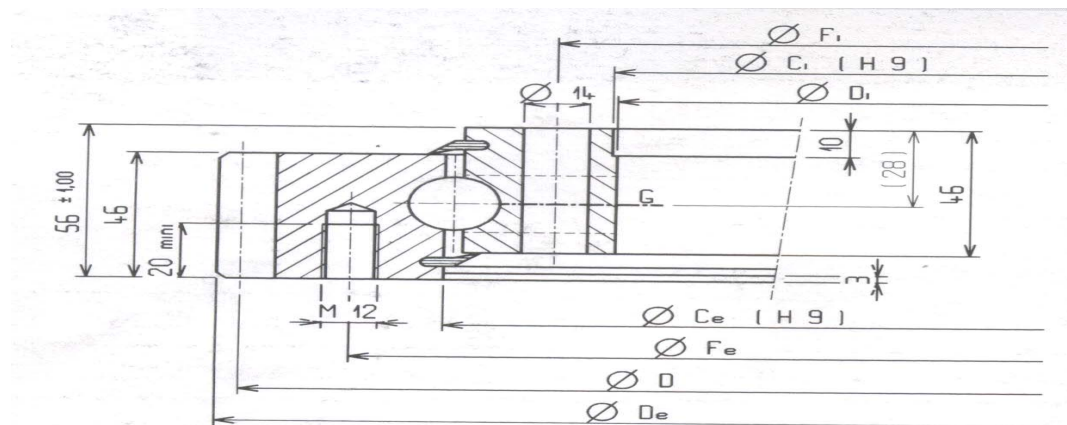
bearing type	SKF Reference	Equivalences		
external gear	RKS.21 0411	21 0411 01 ZZ 00	231 20 0400 013	VLA 20 0414 N
external gear	RKS.21 0541	21 0541 01 ZZ 00	231 20 0500 013	VLA 20 0544 N
external gear	RKS.21 0641	21 0641 01 ZZ 00	231 20 0600 013	VLA 20 0644 N
external gear	RKS.21 0741	21 0741 01 ZZ 00	231 20 0700 013	VLA 20 0744 N
external gear	RKS.21 0841	21 0841 01 ZZ 00	231 20 0800 013	VLA 20 0844 N
external gear	RKS.21 0941	21 0941 01 ZZ 00	231 20 0900 013	VLA 20 0944 N
external gear	RKS.21 1091	21 1091 01 ZZ 00	231 20 1000 013	VLA 20 1094 N
<hr/>				
internal gear	RKS.22 0411	22 0411 01 ZZ 00	232 20 0400 013	VLI 20 0414 N
internal gear	RKS.22 0541	22 0541 01 ZZ 00	232 20 0500 013	VLI 20 0544 N
internal gear	RKS.22 0641	22 0641 01 ZZ 00	232 20 0600 013	VLI 20 0644 N
internal gear	RKS.22 0741	22 0741 01 ZZ 00	232 20 0700 013	VLI 20 0744 N
internal gear	RKS.22 0841	22 0841 01 ZZ 00	232 20 0800 013	VLI 20 0844 N
internal gear	RKS.22 0941	22 0941 01 ZZ 00	232 20 0900 013	VLI 20 0944 N
internal gear	RKS.22 1091	22 1091 01 ZZ 00	232 20 1000 013	VLI 20 1094 N
<hr/>				
without gear	RKS.23 0411	23 0411 01 ZZ 00	230 20 0400 013	VLU 20 0414
without gear	RKS.23 0541	23 0541 01 ZZ 00	230 20 0500 013	VLU 20 0544
without gear	RKS.23 0641	23 0641 01 ZZ 00	230 20 0600 013	VLU 20 0644
without gear	RKS.23 0741	23 0741 01 ZZ 00	230 20 0700 013	VLU 20 0744
without gear	RKS.23 0841	23 0841 01 ZZ 00	230 20 0800 013	VLU 20 0844
without gear	RKS.23 0941	23 0941 01 ZZ 00	230 20 0900 013	VLU 20 0944
without gear	RKS.23 1091	23 1091 01 ZZ 00	230 20 1000 013	VLU 20 1094



light series solid **section** bearing

Products drawings and curve -----outer gear type

Series :JY011



size unit MM

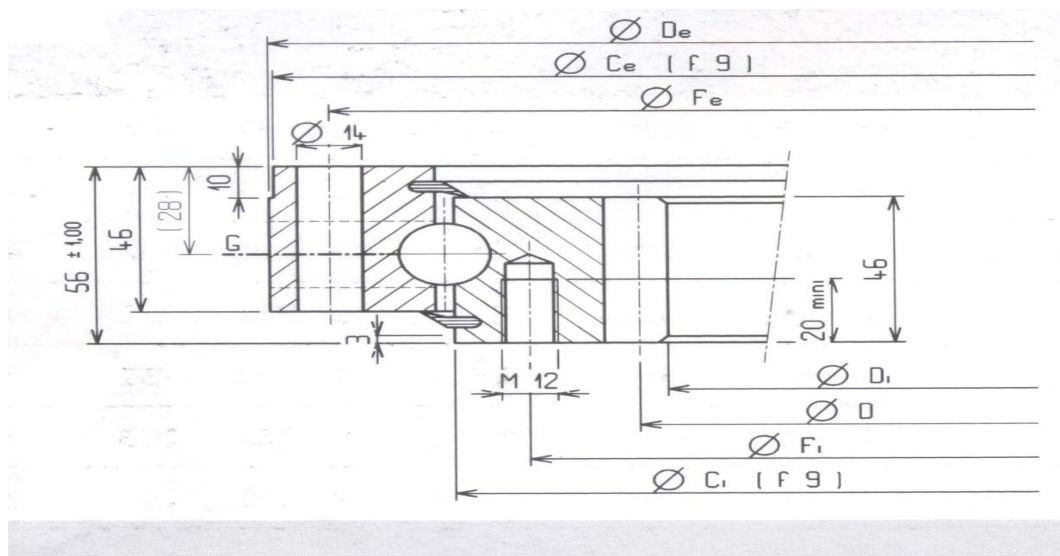
type	weight Kg	size			fastener				gear			gear strength KN	
		De	Di	Ce	Ci	Fe	Ne	Fi	Ni	m	z		D
011.20.411	32	505	342	412.2	344	455	20	368	24	5	99	495	34
011.20.541	46	640	472	542.5	474	585	28	498	32	6	105	630	41
011.20.641	55	742	572	642	574	685	32	598	36	6	122	732	41
011.20.741	62	840	672	743	674	785	36	698	40	6	138	828	41
011.20.841	71	950	772	842	774	885	36	798	40	8	117	936	55
011.20.941	78	1046	872	943	874	985	40	898	44	8	129	1032	55
011.20.1091	91	1198	1022	1094	1024	1135	44	1048	48	8	148	1184	55



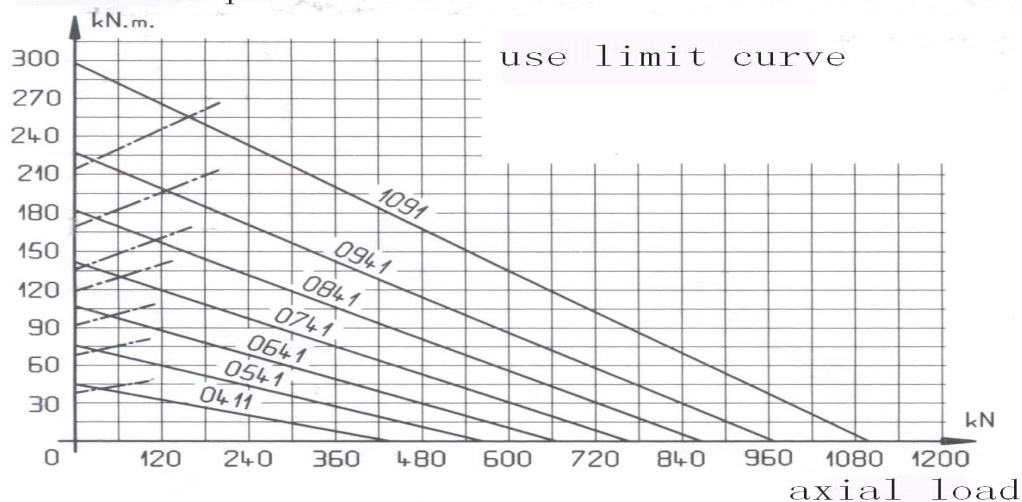
light solid solid-section bearing series

Products drawings and curve—internal gear type

Seriese :JY013

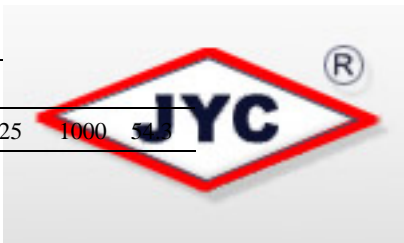


tilt torque



size units MM

Type	weight Kg	size					fastener			gear		gear strength	
		De	Di	Be	Ci	Fe	Ne	Fi	Ni	m	z	D	KN
013.20.411	31	486	325	484	409.5	460	24	375	24	5	67	335	32.4
013.20.541	43	616	445	614	539.5	590	32	505	32	6	76	456	40.3
013.20.641	51	716	546	714	639	690	36	605	36	6	93	558	40.3
013.20.741	58	816	649	814	739.7	790	40	705	40	6	110	660	40.3
013.20.841	70	916	736	914	840	890	40	805	40	8	94	752	54.3
013.20.941	76	1016	840	1014	939	990	44	905	44	8	107	856	54.3

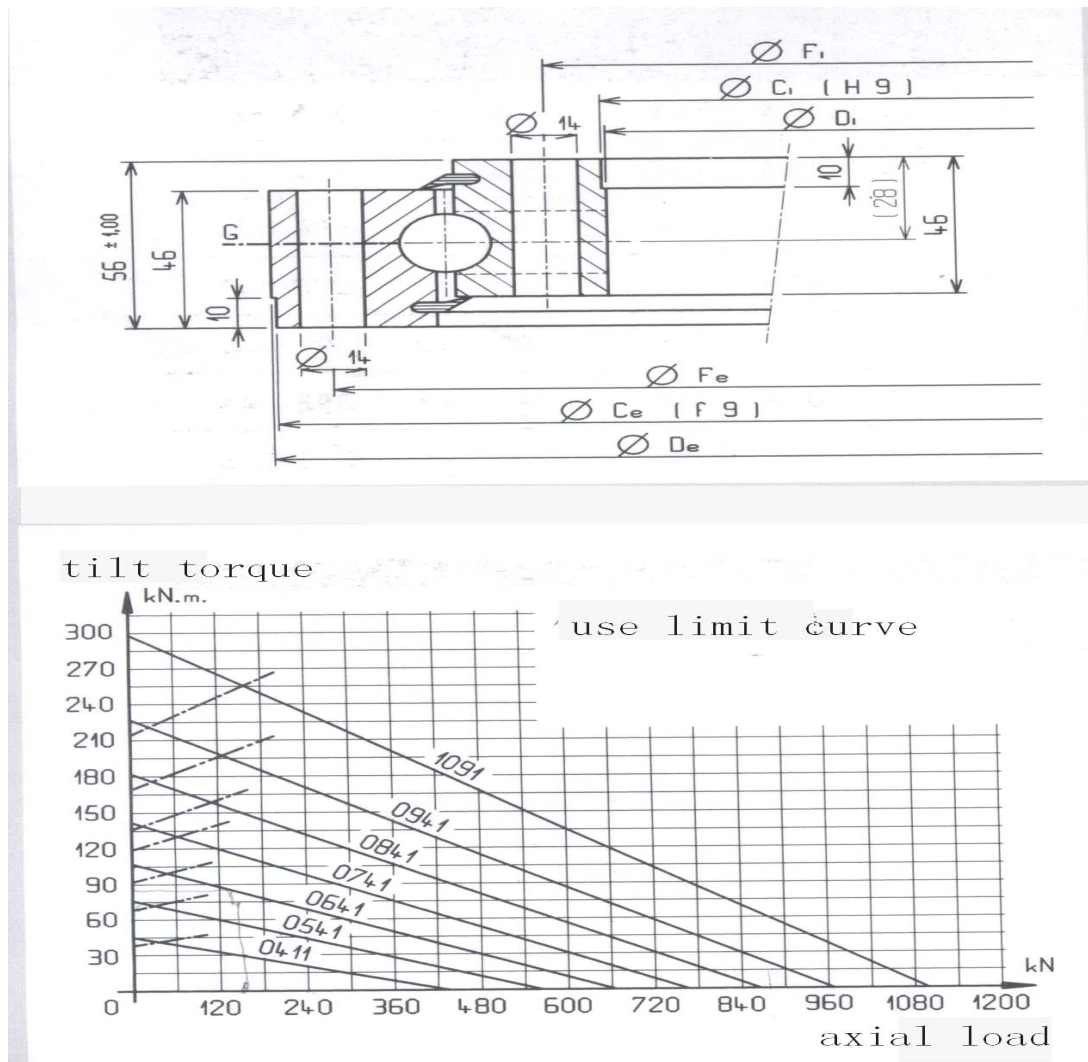


013.20.1091 92 1166 986 1164 1089 1140 48 1055 48 8 125 1000 5

light series solid section bearing

Products drawings and curve -----no gear type

Series:JY010



size unit MM

type	weight	size					fastener		
	Kg	De	Di	Ce	Ci	Fe	Ne	Fi	Ni
010.20.411	29	486	342	484	344	460	24	368	24
010.20.541	38	616	472	614	474	590	32	498	32
010.20.641	45	716	572	714	574	690	36	598	36
010.20.741	52	816	672	814	674	790	40	698	40
010.20.841	60	916	772	914	774	890	40	798	40
010.20.941	67	1016	872	1014	874	990	44	898	44
010.20.1091	78	1166	1022	1164	1024	1140	48	1048	48



Light series :

SINGLE ROW FLANGED SLEWING RINGS

type	weight Kg	size unit MM		
		A	B	C
210.23.885	72	1000	965	830

DOUBLE ROWS FLANGED SLEWING RINGS

type	weight Kg	size unit MM				
		A1	A2	B1	B2	C
220.23.885	102	1000	1000	965	965	830
220.23.985	116	1095	1108	1060	1074	942
220.23.1085	126	1195	1208	1160	1174	1042