

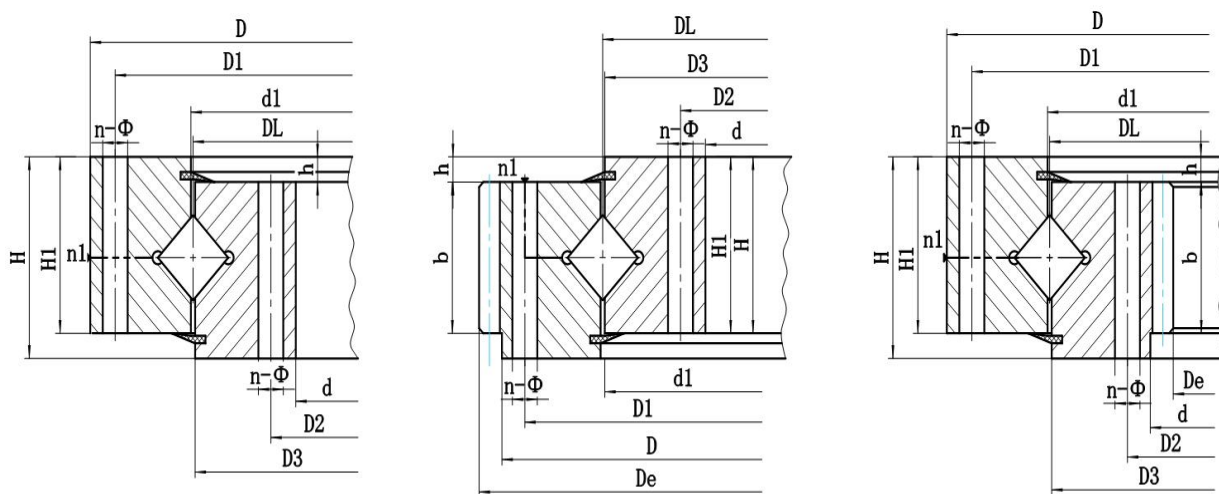


Single-Row Crossed Roller Slewing Ring

CHARACTERISTIC OF STRUCTURE, PERFORMANCE, AND APPLICATION

The Single-Row Crossed Roller Slewing Ring is composed of two seat-rings. It features compact in design, light in weight, high in installing-precision and small in assembly-clearance.

As the rollers are arranged across as 1:1 proportion, it is capable of undertaking Axial Force, Tipping Moment and rather large Radial Force at the same time. The single-row crossed roller slewing rings are widely used for hoisting and transporting machine, construction machinery as well as for military products.



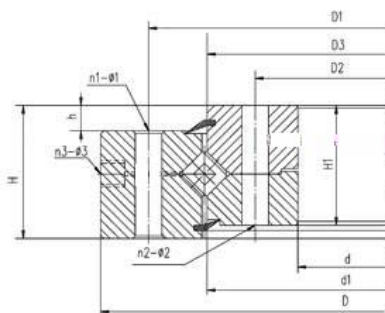
110

111.012

113.114

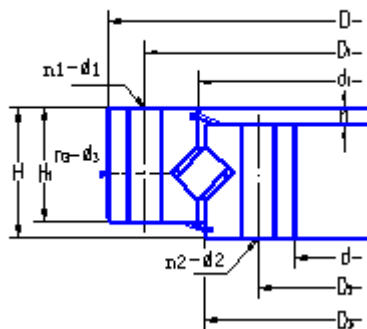


Cross cylindrical roller slewing bearing (no gear)



designations	Boundary dimensions			Bolt hole diameter					
	D	d mm	H	D1 mm	D2 mm	n1	n2	Φ1 mm	Φ2 mm
79764	550	320	85	515	365	12	8	17	18
797/600G2	900	600	125	848	690	30	29	26	M24
797/670	907	670	85	870	730	12	8	M16	18
797/700G	1000	700	140	940	770	24	24	M20	22
797/845G2	1150	845	130	1100	895	24	24	22	22
797/870G	1180	870	115	1125	920	18	18	28	28
797/870K	1180	870	115	1125	920	18	18	28	28
797/870G2K1	1180	870	115	1125	920	18	18	28	28
797/962G2	1200	962	90	-	-	-	-	-	-
792/1000G2	1270	1000	100	1220	1050	36	36	19	19
792/1000G2K	1270	1000	100	1220	1050	36	36	19	19
792/1000G2K1	1270	1000	100	1220	1050	36	36	19	19
792/1000G2K2	1270	1000	100	1220	1050	36	36	19	19
797/1060G2	1400	1060	120	-	-	-	-	-	-
797/1200G2	1520	1200	90	-	-	-	-	-	-
792/1250G2	1700	1250	155	1650	1330	24	24	26	26
797/1250G2	1608	1250	148	1512	1297	16	16	25	25
797/1250G2K	1608	1250	148	1512	1297	16	16	25	25
797/1278G2K	1660	1278	120	1535	1335	18	18	26	26
797/1320G2	1715	1320	134	-	-	-	-	-	-
797/1370G	1840	1370	160	1770	1430	30	24	28	28
797/1380G2	1700	1380	145	1650	1440	24	24	27	27
3-944G2	1680	1412	170	-	1460	-	24	-	18
3-944G2K	1680	1412	170	-	1460	-	24	-	18
3-944G2K1	1680	1412	185	-	1460	-	24	-	18
797/1600G	2140	1600	145	1940	1710	48	48	26	26

<http://www.lybearing.com> Tel:0086-0379-67279705 Fax:0086-0379-64276136

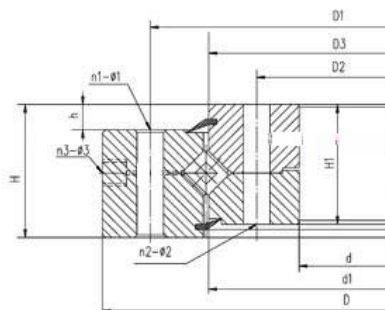


Structure dimensions						Basic load ratings Coa 10 ⁴ N	Mass kg
D3	d1 mm	H1	h	n3	Φ3 Mm		
438	442	75	10	-	-	88.2	85.6
750	754	105	15	3	M10X1	280	246
808	812	75	10	-	-	165	170
879	882	130	20	4	M10X1	254	370
1024	1030	105	10	6	M6	401	393
1023	1027	100	15	2	M8X1	292	355
1023	1027	100	15	2	M10X1	232	355
1023	1027	100	15	2	M10X1	320	356
1088	1092	76	10	-	-	254	224
1132	1138	85	15	4	M10X1	333	303
1132	1138	85	15	3	9	333	303
1132	1138	85	15	-	-	333	303
1132	1138	85	15	-	-	333	303
1248	1252	120	-	-	-	429	596
1356	1364	90	-	-	-	409	504
1446	1450	140	10	6	M10X1	602	1103
1403	1407	128	26	4	M10X1	595	743
1403	1407	128	26	4	M10X1	595	717
1428	1432	105	15	4	M10X1	427	589
1503	1509	-	-	-	-	607	958
1598	1602	140	10	4	M10X1	997	1213
1568	1574	140	5	6	M10X1	461	746
1544	1548	120	25	2	M10X1	617	725
1544	1548	120	25	2	M10X1	576	723
1544	1548	120	25	2	M12X1.25	576	759
1828	1832	135	10	4	M10X1	896	1357

<http://www.lybearing.com> Tel:0086-0379-67279705 Fax:0086-0379-64276136

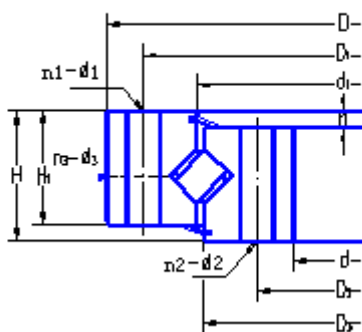


Cross cylindrical roller slewing bearing (no gear)



designations	Boundary dimensions			Bolt hole diameter					
	D	d mm	H	D1 mm	D2 mm	n1	n2	Φ1 mm	Φ2 mm
797/1776G2	2210	1776	150	2105	1840	36	36	26	26
797/1860G2	2320	1860	151	2245	1980	42	42	33	33
797/1916G2	2320	1916	150	2245	1980	42	42	34	34
797/2190G	2860	2190	300	2800	2270	36	36	32	32
797/2500G2	2980	2500	180	2910	2590	48	48	33	33
792/2800G	3310	2800	190	3220	2890	60	60	39	39
JY110.32.672	790	570	90	753	604	36	35	22	22
JY110.08.264	311	215.9	25.4	295.3	231.8	12	12	8.7	8.7
JY110.09.222	300	140	36	270	170	12	12	M16	18
JY110.09.260	329	191	46	305	215	20	20	14	14
JY110.40.1005	1150	835	130	1100	895	24	24	22	22
JY110.16.270	350	190	52	320	220	16	16	18	18
JY110.28.1120	1242	998	82	1198	1042	36	36	M20	22
JY110.16.195	260	120	58	236	146	12	12	M12	14
THIN SECTION CROSSED ROLLER TYPE									
CRB30035	395	300	35						
CRB25025-2RS	310	250	25						

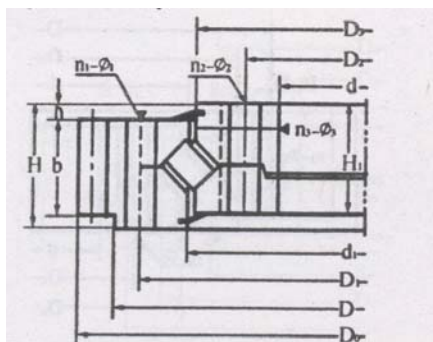
<http://www.lybearing.com> Tel:0086-0379-67279705 Fax:0086-0379-64276136



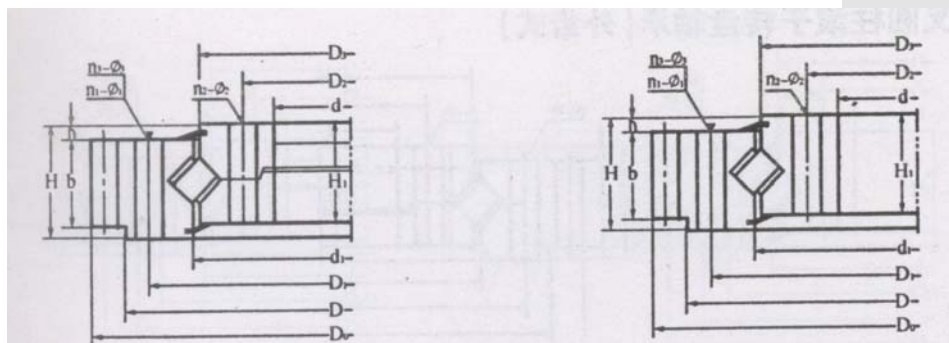
Structure dimensions						Basic load ratings Coa 10 ⁴ N	Mass Kg
D3	d1 mm	H1	h	n3	Φ3 mm		
1968	1972	135	15	4	M10X1	1113	1244
2113	2117	150	10	6	M10X1	890	1772
2113	2117	130	20	3	M10X1	1195	1214
2530	2550	260	40	12	8	3035	4797
2739	2743	170	10	6	M16X1.5	1760	2913
3050	3060	165	25	2	M10X1	2117	2864
				4	M10X1		125
				--	-----	-----	6.9
				2	M10X1		12
				4	M8X1		16
				6	M10X1	680	398
				4	M8X1		18
				6	M10X1	262	230
				2	M10X1		14.4
							13.4
							5.0



Cross cylindrical roller slewing bearing(external gear)



designations	Boundary dimensions			Bolt hole diameter					
	D	d mm	H	D1 mm	D2	n1	n2	Φ1 Mm	Φ2
1792/885	1056	885	83	1032	925	16	16	M16	17.5
E1792/885	1056	885	83	1032	925	16	16	M16	17.5
E1792/885K	1056	885	83	1032	925	16	16	M16	17.5
1797/885G	1150	885	115	1115	935	16	16	18	18
1797/1100G	1415	1100	115	1345	1160	24	18	21	21
1798/1100G2	1400	1100	140	1352	1160	26	26	24	26
1798/1100G2K	1400	1100	145	1352	1160	26	26	24	26
1797/1250G2	1548	1250	148	1512	1297	16	16	25	25
1797/1278G2	1595	1278	120	1535	1335	36	36	26	26
1797/1300G2	1705	1300	165	1644	1360	24	24	32	32
1792/1400G	1715	1400	110	1660	1460	42	42	26	26
1792/1400G2	1715	1400	110	1660	1460	42	42	26	26
1792/1400G2K	1715	1400	110	1660	1460	42	42	26	26
1797/1460G2	1800	1460	125	1735	1525	32	36	26	26
1797/1460G2K	-	1460	125	1735	1525	32	36	26	26
1797/1916G2	-	1916	150	2245	1980	42	42	34	34
1797/2100G2	2600	2100	180	2540	2200	48	48	32	32
1797/2100G2K	2600	2100	180	2540	2200	48	48	32	32
1797/2460G2	-	2460	220	2930	2560	30	30	33	34
1797/2460G2U	-	2460	220	2930	2560	30	30	33	34
1797/2460G2K	3108	2460	220	2930	2560	30	30	33	34
1797/2460G2K1	3108	2460	220	2930	2560	30	30	33	34
1797/2500G2	-	2500	210	2990	2630	36	36	37	37
1797/2500K	2920	2500	260	3060	2622	36	36	40	40
1797/2500G2K1	2920	2500	260	3060	2622	36	36	40	40
1797/2600G	-	2600	200	3050	2700	60	60	35	35
1797/2600G2	-	2600	200	3050	2700	60	60	35	35
1797/2600G2K	-	2600	200	3050	2700	60	60	35	35
1797/2600G2K1	-	2600	200	3050	2700	60	60	35	35
1797/2635G	3332	2635	270	3240	2755	36	36	42	42
1797/2635G2	3332	2635	270	3240	2755	36	36	42	42
1797/3230G	3970	3230	240	3820	3350	52	54	37	37
1797/3230GY	3970	3230	240	3820	3380	52	36	37	37

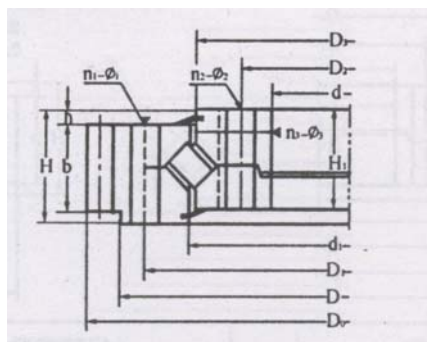


Structure dimensions						Gear parameters					Basic load ratings Coa 10 ⁴ N	Mass Kg
D3	d1	H1	h	n3	Φ3 mm	m	Da mm	Z	B mm	x		
986	988	75	12.5	-	-	8	1096	135	62.5	0	176	172
986	988	75	12.5	-	-	8	1096	135	62.5	0	176	172
986	988	75	12.5	3	M10X1	8	1096	135	62.5	0	176	172
1023	1027	100	15	4	M8X1	5	1180	234	80	0	292	330
1253	1255	100	15	4	M12X1.25	6	1452	240	84	0	270	497
1260	1264	126	21	4	M10X1	14	1477.28	104	90	-0.24	430	642
1260	1264	131	26	4	M10X1	14	1477.28	104	90	-0.24	430	644
1403	1407	122	20	4	M10X1	12	1608	132	100	0	539	661
1428	1432	105	15	4	M10X1	12	1655.46	134	90	+1.15	485	597
1504	1508	134	31	4	M10X1	14	1783.6	126	85	-0.3	578	1023
1558	1562	95	17	4	M12X1.25	12	1780.8	147	78	-0.3	597	579
1558	1562	95	17	4	M12X1.25	12	1780.8	147	78	-0.3	597	579
1558	1562	95	15	4	M12X1.25	12	1780.8	147	78	-0.3	597	579
1633	1637	110	10	4	M10X1	14	1881.6	133	95	-0.3	627	828
1633	1637	110	10	4	M10X1	10	1880	186	115	0	627	845
2113	2117	130	15	3	M10X1	18	2415.6	133	135	-0.4	1150	1597
2368	2372	158	22	8	M10X1	18	2700	148	130	0	1100	2395
2368	2372	158	22	8	M10X1	18	2700	148	130	0	1100	2392
2745	2747	185	20	30	M12X1.25	14	3108	220	200	0	1386	4091
2745	2747	185	20	30	M12X1.25	14	3108	220	200	0	1386	4091
2745	2747	200	35	15	M10X1	14	3108	220	200	0	1386	4091
2745	2747	200	35	30	M10X1	14	3108	220	200	0	1386	4091
2818	2822	200	10	12	M14X1.5	25	3250	128	200	0	1996	4597
2949	2916	240	60	36	M10X1	18	3258	179	190	0	1996	5407
2949	2916	240	60	36	M10X1	18	3258	179	190	0	1996	5407
2868	2872	180	20	6	M12X1.25	20	3232.8	160	180	-0.18	2030	3936
2868	2872	180	20	18	M10X1	20	3232.8	160	180	-0.18	2030	3936
2868	2872	180	20	4	14	20	3232.8	160	180	-0.18	2030	3936
2868	2872	180	20	8	M10X1	20	3232.8	160	180	-0.18	2320	35588
2998	3002	240	45	6	M12X1.25	20	3440	170	200	0	2950	5973
2998	3002	225	30	12	M10X1	20	3440	170	200	0	2950	5973
3578	3582	220	20	9	M12X1.25	25	4100	162	200	0	3520	7612
3578	3582	220	20	4	M12X1.25	25	4100	162	200	0	3520	7612

<http://www.lybearing.com> Tel:0086-0379-67279705 Fax:0086-0379-64276136

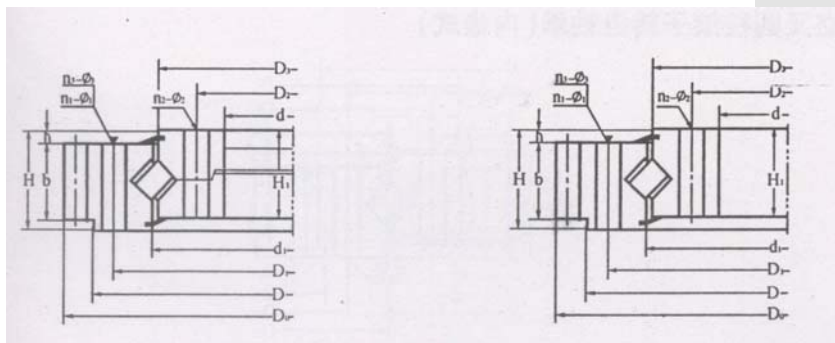


Cross cylindrical roller slewing bearing(external gear)



designations	Boundary dimensions			Bolt hole diameter					
	D	d mm	H	D1 mm	D2 mm	n1	n2	Φ1 mm	Φ2 mm
1797/3230G2	3970	3230	240	3820	3350	52	54	37	37
1797/3230G2K	3970	3230	240	3820	3350	52	54	37	37
1797/3230G2K2	3970	3230	240	3820	3350	52	54	37	37
1797/3230G2K3	3970	3230	240	3820	3350	52	54	37	37
1797/3230G2Y	3970	3230	240	3820	3380	52	36	37	37
1797/3230G2Y2	3970	3230	240	3820	3380	52	36	37	37
1797/3230G2Y3	-	3230	240	3820	3380	52	36	37	37
1797/3230GK4	3970	3230	240	3820	3380	52	68	37	37
1797/3230GK5	3970	3230	240	3820	3350	52	54	37	37
1797/3230G2Y3K	-	3230	240	3820	3380	52	36	37	37
1797/3760G	4220	3760	240	4160	3840	48	48	32	32
1797/4250G	4940	4250	250	4840	4350	72	72	48	48
JY111.14.240	307	170	60	280	200	16	16	M14	M14
JY111.27.675	781	682	90	753	604	18	18	22	22
JY111.28.800	922	678	82	944	722	30	30	22	22
JY111.21.475	565	383	75	540	410	36	36	16	16
JY111.27.1116	1240	984	114	1198	1035	40	40	22	22
DOUBLE ROWS									
JY121.26.695	867	545	132.5	805	611	40	35	30	M27

<http://www.lybearing.com> Tel:0086-0379-67279705 Fax:0086-0379-64276136

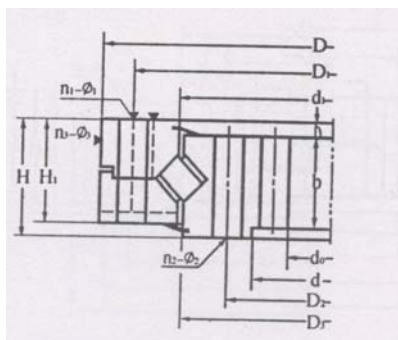


Structure dimensions						Gear parameters					Basic load ratings Coa 10 ⁴ N	Mass Kg
D3	d1	H1	h	n3	Φ3 mm	m	Da mm	Z	b mm	x		
3578	3582	220	20	9	M12X1.25	25	4100	162	200	0	3520	7613
3578	3582	220	20	8	14	25	4100	162	200	0	3520	7613
3578	3582	220	20	18	M12X1.25	22	4092	184	200	0	3520	7804
3578	3582	220	20	9	M12X1.25	20	4080	202	200	0	3593	7302
3578	3582	220	20	4	M12X1.25	25	4100	162	200	0	3593	7613
3578	3582	220	20	4	M12X1.25	25	4100	162	200	0	3593	7613
3578	3582	220	20	4	M14X1.5	25	4100	162	220	0	3520	7686
3578	3582	220	20	18	M14X1.5	25	4100	162	200	0	3520	7613
3578	3582	220	20	4	M12X1.25	25	4100	162	200	0	3520	7613
3578	3582	220	20	4	M12X1.25	25	4100	162	220	0	3520	7686
3996	4004	210	55	4	M14X1.5	14	4326	307	135	0	3210	4396
4598	4602	225	25	9	M16X1.5	30	5082	168	200	-0.3	4520	8954
				2	M10X1	3	321	105	40	0		17.5
				4	M8X1	6	816	132	65	1.092	240	129
				6	M10X1	8	969	118	65	0.5		161
				3	M10X1	5	588	116	50	0		64.4
				4	M10X	10	1289.5	125	78	1.05	399	330
DOUBLE ROWS												
				2	1/4"	10	920	90	90	0		310

<http://www.lybearing.com> Tel:0086-0379-67279705 Fax:0086-0379-64276136

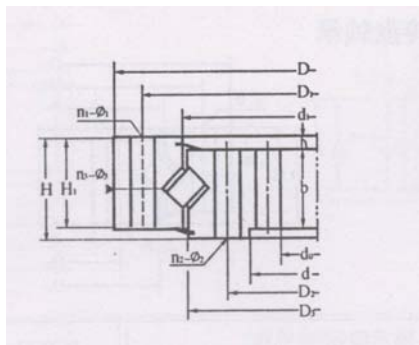


Cross cylindrical roller slewing bearing(internal gear)



designations	Boundary dimensions			Bolt hole diameter					
	D	d mm	H	D1 mm	D2 mm	n1	n2	Φ1 Mm	Φ2
2797/695G2	920	695	90	870	735	30	30	18	18
2797/760G2	1000	760	95	956	800	24	24	20	20
2797/870G2	1180	870	115	1125	920	18	18	26	26
2797/875G2	1170	875	95	1120	930	24	24	22	22
2797/955G	1200	95	90	1160	1000	36	18	18	18
2797/955G2	1200	95	90	1160	1000	36	18	18	18
2797/1010G2	1200	1010	90	1160	1041	36	20	22	M20
2797/1010GK	1200	1010	90	1160	1041	36	20	22	M20
2797/1278G2	1595	1278	120	1535	1335	36	36	26	26
2792/1400G2K	1715	1400	110	1660	1460	40	40	26	M24
2792/2000G2	2420	2000	160	2350	2070	48	48	33	M30
2792/2240G	2670	2240	160	2600	2320	54	54	35	M36
3-940G	2800	2300	208	2710	2390	42	48	38	M36
2797/2680G	3325	2680	300	3242	2754	32	32	33	33
2797/2680GY	3325	2680	300	3242	2754	48	48	33	33
2797/2680GK	3325	2680	300	3242	2754	32	32	33	33
3-943G2	3850	3322	200	3720	3420	60	60	45	45
JY113.28.818	930	678	82	890	722	30	30	22	22
JY113.15.1075	1175	1010	84	1135	1040	36	36	M16	M16

<http://www.lybearing.com> Tel:0086-0379-67279705 Fax:0086-0379-64276136



Structure dimensions						Gear parameters					Basic load ratings Coa 10 ⁴ N	Mass Kg
D3	d1	H1	h	n3	Φ3 mm	m mm	da mm	Z	b mm	x		
800	804	76	4	3	10	7	658	96	65	0	161	175
878	882	82	15	4	M10X1	8	718.18	91	70	0.35	237	206
1023	1027	100	15	2	M8X1	8	828.8	105	90	1.3	292	374
1018	1022	82	15	4	M10X1	8	830.1	105	70	0.35	276	297
1088	1092	76	10	4	M8X1	8	908.8	115	72	0.3	254	245
1088	1092	76	10	4	M8X1	8	908.8	115	72	0.3	254	245
1088	1092	76	10	2	M8X1	10	962	97	72	0.6	254	199
1088	1092	76	10	2	M8X1	10	962	97	72	0.6	254	199
1428	1432	106	14	6	M10X1	12	1221.14	103	90	0.35	398	585
1558	1562	95	15	4	M10X1	10	1330	135	90	0	597	587
2207	2213	140	20	6	M10X1	14	1913.5	138	120	0.3	1084	1607
2457	2463	140	20	6	M12X1.25	16	2154.5	136	120	0.3	1441	1798
2535	2545	180	18	6	M10X1	20	2162.75	110	175	0	1743	2756
2996	3000	270	30	4	M16X1.5	16	2592	164	180	0	3587	6320
2996	3000	270	30	4	M16X1.5	16	2592	164	180	0	3587	6320
2996	3000	270	30	4	M16X1.5	16	2592	164	180	0	3035	6641
3568	3572	180	20	12	M10X1	22	3206.368	147	158	0.35	1806	4520
				6	M10X1	6	630	107	65	0	190	120
				4	M10X1	10	960	98	62	0		179



Cross cylindrical roller slewing bearing

designations			Boundary dimensions D d H mm			Bolt hole diameters			
Non-gear type	External gear type	Internal gear type				D1 mm	D2 mm	n	Φ mm
110 • 25 • 500 • **	111 • 25 • 500 • **	113 • 25 • 500 • **	602	398	75	566	434	20	18
	112 • 25 • 500 • **	114 • 25 • 500 • **	602	398	75	566	434	20	18
110 • 25 • 560 • **	111 • 25 • 560 • **	113 • 25 • 560 • **	662	458	75	626	494	20	18
	112 • 25 • 560 • **	114 • 25 • 560 • **	662	458	75	626	494	20	18
110 • 25 • 630 • **	111 • 25 • 630 • **	113 • 25 • 630 • **	732	528	75	696	564	24	18
	112 • 25 • 630 • **	114 • 25 • 630 • **	732	528	75	696	564	24	18
110 • 25 • 710 • **	111 • 25 • 710 • **	113 • 25 • 710 • **	812	608	75	776	644	24	18
	112 • 25 • 710 • **	114 • 25 • 710 • **	812	608	75	776	644	24	18
110 • 28 • 800 • **	111 • 28 • 800 • **	113 • 28 • 800 • **	922	678	82	878	722	30	22
	112 • 28 • 800 • **	114 • 28 • 800 • **	922	678	82	878	722	30	22
110 • 28 • 900 • **	111 • 28 • 900 • **	113 • 28 • 900 • **	1022	778	82	978	822	30	22
	112 • 28 • 900 • **	114 • 28 • 900 • **	1022	778	82	978	822	30	22
110 • 28 • 1000 • **	111 • 28 • 1000 • **	113 • 28 • 1000 • **	1122	878	82	1078	922	36	22
	112 • 28 • 1000 • **	114 • 28 • 1000 • **	1122	878	82	1078	922	36	22
110 • 28 • 1120 • **	111 • 28 • 1120 • **	113 • 28 • 1120 • **	1242	998	82	1198	1042	36	22
	112 • 28 • 1120 • **	114 • 28 • 1120 • **	1242	998	82	1198	1042	36	22
110 • 32 • 1250 • **	111 • 32 • 1250 • **	113 • 32 • 1250 • **	1390	1110	91	1337	1163	40	26
	112 • 32 • 1250 • **	114 • 32 • 1250 • **	1390	1110	91	1337	1163	40	26
110 • 32 • 1400 • **	111 • 32 • 1400 • **	113 • 32 • 1400 • **	1540	1260	91	1487	1313	40	26
	112 • 32 • 1400 • **	114 • 32 • 1400 • **	1540	1260	91	1487	1313	40	26
110 • 32 • 1600 • **	111 • 32 • 1600 • **	113 • 32 • 1600 • **	1740	1460	91	1687	1513	45	26
	112 • 32 • 1600 • **	114 • 32 • 1600 • **	1740	1460	91	1687	1513	45	26
110 • 32 • 1800 • **	111 • 32 • 1800 • **	113 • 32 • 1800 • **	1940	1660	91	1887	1713	45	26
	112 • 32 • 1800 • **	114 • 32 • 1800 • **	1940	1660	91	1887	1713	45	26
110 • 40 • 2000 • **		113 • 45 • 1830 • 11	2002	1665	156	1940	1720	54	30
	111 • 40 • 2000 • **	113 • 40 • 2000 • **	2178	1825	112	2110	1891	48	33
110 • 40 • 2000 • 12	112 • 40 • 2000 • **	114 • 40 • 2000 • **	2178	1825	112	2110	1891	48	33
			2178	1825	112	2110	1891	48	33
110 • 40 • 2240 • **	111 • 40 • 2240 • **	113 • 40 • 2240 • **	2418	2065	112	2350	2131	48	33
	111 • 40 • 2240 • **	114 • 40 • 2240 • **	2418	2065	112	2350	2131	48	33
110 • 40 • 2500 • **	111 • 40 • 2500 • **	113 • 40 • 2500 • **	2678	2325	112	2610	2391	56	33
	112 • 40 • 2500 • **	114 • 40 • 2500 • **	2678	2325	112	2610	2391	56	33
110 • 40 • 2500 • 12k			2678	2325	112	2610	2391	56	33
	111 • 40 • 2800 • **	113 • 40 • 2800 • **	2978	2625	112	2910	2691	56	33
110 • 40 • 2800 • **	112 • 40 • 2800 • **	114 • 40 • 2800 • **	2978	2625	112	2910	2691	56	33

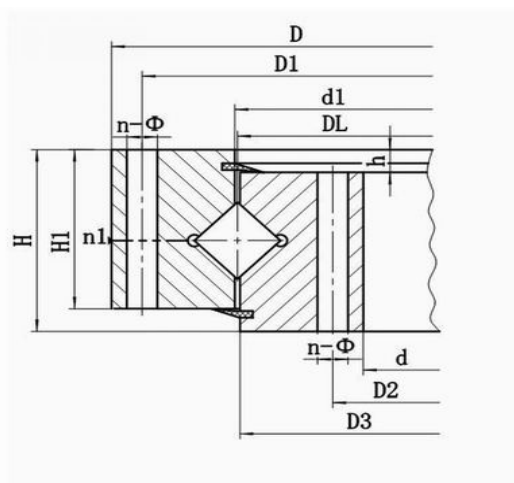


Structure dimensions						Gear parameters						Basic load ratings Coa 10 ⁴ N	Mass kg
D3	d1	H1	h	n3	Φ3 mm	m	Da mm	Z z	da mm	Z	b x mm		
499	501	65	10	4	M10X1	5	630	123	365	74	60 0.5	104	80
499	501	65	10	4	M10X1	6	630	120	360	62	60 0.5	104	80
558.5	561.5	65	10	4	M10X1	5	690	135	425	86	60 0.5	116	90
558.5	561.5	65	10	4	M10X1	6	690	112	426	112	60 0.5	116	90
628.5	631.5	65	10	4	M10X1	6	774	126	492	83	60 0.5	130	100
628.5	631.5	65	10	4	M10X1	8	776	94	488	62	60 0.5	130	100
708.5	711.5	65	10	4	M10X1	6	852	139	570	96	60 0.5	149	110
708.5	711.5	65	10	4	M10X1	8	856	104	568	72	60 0.5	149	110
798.5	801.5	72	10	6	M10X1	8	968	118	632	80	65 0.5	185	170
798.5	801.5	72	10	6	M10X1	10	970	94	630	64	65 0.5	185	170
898.5	901.5	72	10	6	M10X1	8	1064	130	736	93	65 0.5	209	190
898.5	901.5	72	10	6	M10X1	10	1070	104	730	74	65 0.5	209	190
998.5	1001.5	72	10	6	M10X1	10	1190	116	820	83	65 0.5	233	210
998.5	1001.5	72	10	6	M10X1	12	1188	96	816	69	65 0.5	233	210
1118	1122	72	10	6	M10X1	10	1300	127	940	95	65 0.5	262	230
1118	1122	72	10	6	M10X1	12	1308	106	936	79	65 0.5	262	230
1248	1252	81	10	6	M10X1	12	1452	118	1044	88	75 0.5	321	350
1248	1252	81	10	6	M10X1	14	1456	101	1036	75	75 0.5	321	350
1398	1402	81	10	6	M10X1	12	1608	131	1188	100	75 0.5	358	400
1398	1402	81	10	6	M10X1	14	1610	112	1190	86	75 0.5	358	400
1598	1602	81	10	8	M10X1	14	1820	127	1386	100	75 0.5	412	440
1598	1602	81	10	8	M10X1	16	1824	111	1376	87	75 0.5	412	440
1798	1802	81	10	8	M10X1	14	2016	141	1568	113	75 0.5	460	500
1798	1802	81	10	8	M10X1	16	2016	123	1568	99	75 0.5	460	500
1827	1833	128	28	6	M10X1	12	-	-	1610	135	100 0.5	571	912
1998	2002	100	12	8	M10X1	16	2272	139	1728	109	90 0.5	686	900
1998	2002	100	12	8	M10X1	18	2268	123	1728	97	90 0.5	686	900
1991	1995	100	12	8	M10X1	-	-	-	-	-	-	635	767
2237.5	2242.5	100	12	8	M10X1	16	2496	153	1984	125	90 0.5	764	1000
2237.5	2242.5	100	12	8	M10X1	18	2502	136	1980	111	90 0.5	764	1000
2497.5	2502.5	100	12	8	M10X1	18	2772	151	2232	125	90 0.5	797	876
2497.5	2502.5	100	12	8	M10X1	20	2780	136	2220	112	90 0.5	797	876
2498.5	2501.5	100	112	8	M10X1	-	-	-	-	-	-	1000	876
2797.5	2802.5	100	12	8	M10X1	18	3078	168	2520	141	90 0.5	960	1250
2797.5	2802.5	100	12	8	M10X1	20	3080	151	2520	127	90 0.5	960	1250

<http://www.lybearing.com> Tel:0086-0379-67279705 Fax:0086-0379-64276136

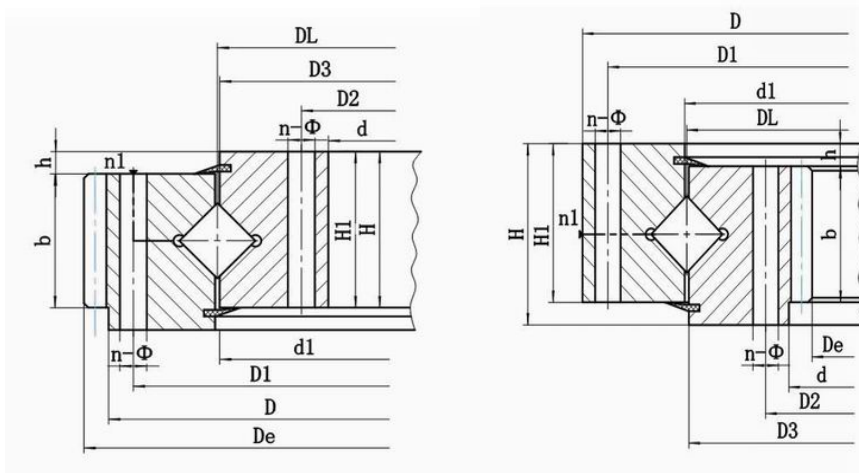


Cross cylindrical roller slewing bearing



designations			Boundary dimensions			Bolt hole diameters			
Non-gear type	External gear type	Internal gear type	D	d	H	D1	D2	n	Φ
			mm			mm			mm
110 • 50 • 3150 • **	111 • 50 • 3150 • **	113 • 50 • 3150 • **	3376	2922	134	3286	3014	56	45
	112 • 50 • 3150 • **	114 • 50 • 3150 • **	3376	2922	134	3286	3014	56	45
110 • 50 • 3550 • **	111 • 50 • 3550 • **	113 • 50 • 3550 • **	3776	3322	134	3686	3414	56	45
	112 • 50 • 3550 • **	114 • 50 • 3550 • **	3776	3322	134	3686	3414	56	45
	111 • 52 • 3550 • 12		3776	3322	134	3686	3414	56	45
110 • 50 • 4000 • **	111 • 50 • 4000 • **	113 • 50 • 4000 • **	4226	3772	134	4136	3864	60	45
	112 • 50 • 4000 • **	114 • 50 • 4000 • **	4226	3772	134	4136	3864	60	45
110 • 50 • 4500 • **	111 • 50 • 4500 • **	113 • 50 • 4500 • **	4726	4272	134	4636	4364	60	45
	112 • 50 • 4500 • **	114 • 50 • 4500 • **	4726	4272	134	4636	4364	60	45

<http://www.lybearing.com> Tel:0086-0379-67279705 Fax:0086-0379-64276136



Structure dimensions					Gear parameters						Basic load ratings Coa 10 ⁴ N	Mass kg	
D3	d1	H1	h	n3	Φ3 mm	m	De mm	Z	de mm	Z			b x mm
3147.5	3152.5	122	12	8	M10X1	20	3480	171	2820	142	110 0.5	1380	2150
3147.5	3152.5	122	12	8	M10X1	22	3476	155	2816	129	110 0.5	1380	2150
3547.5	3552.5	122	12	8	M10X1	20	3880	191	3220	162	110 0.5	1570	2470
3547.5	3552.5	122	12	8	M10X1	22	3894	174	3212	147	110 0.5	1570	2470
3548	3552.5	122	12	8	M10X1	20	3880	191	-	-	110 0.5	1475	2464
3997.5	4002.5	122	12	10	M10X1	22	4334	194	3652	167	110 0.5	1760	2800
3997.5	4002.5	122	12	10	M10X1	25	4350	171	3650	147	110 0.5	1760	2800
4497.5	4502.5	122	12	10	M10X1	22	4940	217	4158	190	110 0.5	1980	3100
4497.5	4502.5	122	12	10	M10X1	25	4850	191	4150	167	110 0.5	1980	3100

<http://www.lybearing.com> Tel:0086-0379-67279705 Fax:0086-0379-64276136