

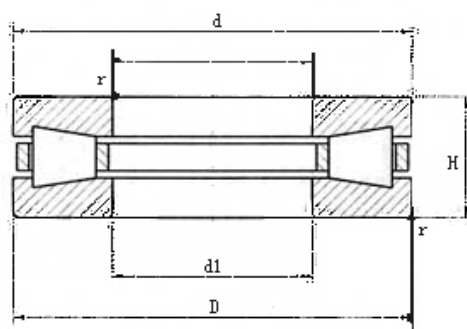
THRUST ROLLER BEARINGS

Thrust roller bearings can be **classified** into cylindrical roller bearings(80000 type), thrust taper roller bearings(90000 type), and thrust spherical roller bearings(29000 type).they are **separable** bearings , greater rigidity , **taking** small space, bearing higher axial load and have low sensitivity to impact load.they permit low rotating speed, normally used in the workplace **where** thrust ball bearings can not be applied.

Thrust spherical roller bearing can bear both axial load and radial load and **can be used in** heavy load **applications** and permit the higher rotating speed and has better self-aligning performance.

Our thrust roller bearings mainly use steel or **brass machined solid cage**.

THRUST TAPER ROLLER BEARINGS d170-1290mm



90000 型
(19000 型)

d	Principle dimensions					Basic load ratings		Old spec.	Designations .	Speed ratings		Weight
	d _{1min}	D	D _{1max}	H	r _{smin}	Dyc Cr	Stc Cor			Grease	oil	
mm						KN				r/min		kg
170	-	305	-	70.35	6	-	-	-	T661	400	560	21.4
174.625	-	358.775	-	82.55	6.4	-	-	-	68TR	350	480	42.8
177.8	-	43.8	-	101.6	3.3	-	-	-	T709	300	400	83.4
200	200.3	400	-	122	5	1720	7226	9019440	99440	300	400	75
210	-	458.1	-	122	11	-	-	19742F	-	290	390	117.3
	210.3	460	-	122	7.5	2870	14450	19742	91742	290	390	107
	210.3	460	-	150	7.5	2870	14450	219742	91742DS	290	390	134
220	236	300	-	96	2	403	1769	-	351019C	-	-	20
250	275	380	-	100	2	865	4647	-	353005	-	-	41.1
260	260.3	480	-	132	6	-	-	9019452	99452	160	220	112.7
260	285	360	-	92	2	573	2865	-	350981C	-	-	28
270	270.5	550	549.5	130	8	-	-	19954	91754	140	190	159
280	-	520	-	145	9.5	-	-	9019456	99456	140	190	157.6
320	320.4	580	-	155	7.5	3740	17537	9019464	99464	110	160	185
380	380.4	670	-	175	7.5	4710	22870	9019476	99476	85	120	274
380	460	680	-	140	5	4460	8230	249976Y	-	-	-	217
749.3	749.5	952.5	954.8	127	6.4	5550	24000	-	BFSB353247F	80	110	230.4
1290	1291	1550	-	134	6	6970	55950	197/1290	917/1290	75	100	495

